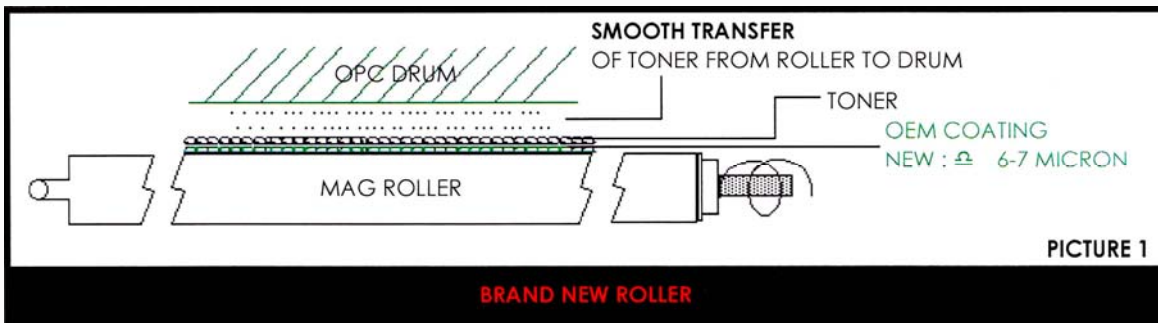


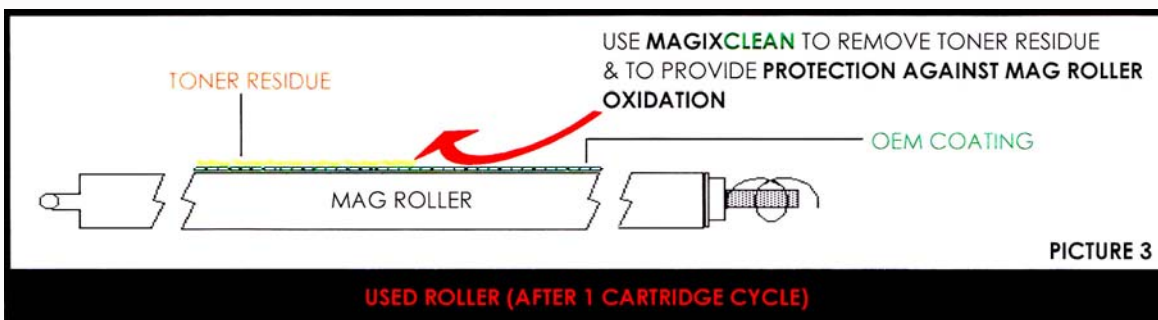
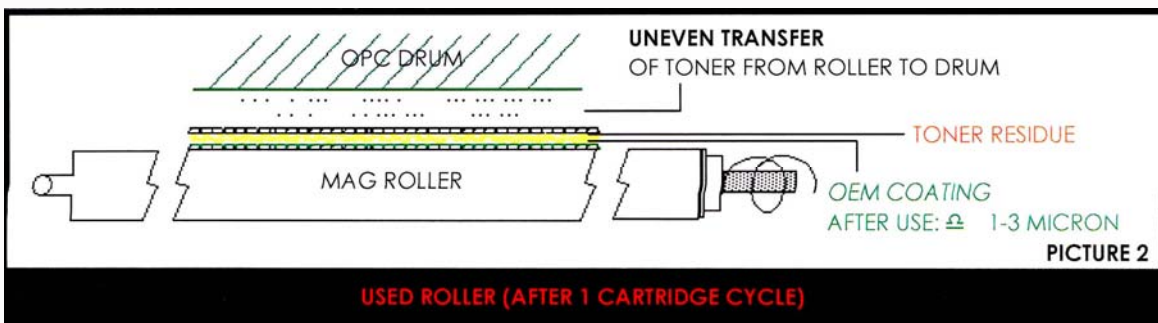
## How does MAGIX COAT (Mag Roller Coating Solution) work?

MAGIXCOAT helps to regulate the flow of toner to OPC drum, when used in coating an exhausted mag roller.

A brand new mag roller has an even coating that controls the flow of toner, ensuring the correct amount and even transfer of toner to the OPC drum.



After going through one cartridge cycle, part of the coating will be worn off, causing uneven surface, and also the appearance of toner stains. AS a result, any one or combination of these problems will occur – uneven prints, light prints or backgrounding.



To revive the exhausted mag roller for use in another cycle, clean mag roller thoroughly using MAGIXCLEAN (the recommended cleaning agent), before proceeding to coat it with MAGIXCOAT. Beside removing embedded toner from the mag roller, MAGIXCLEAN provides a protective layer that helps prevent mag roller oxidation.

## How does MAGIX COAT (Mag Roller Coating Solution) work?

